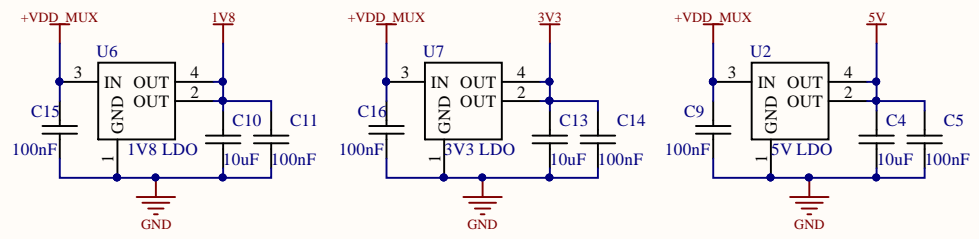
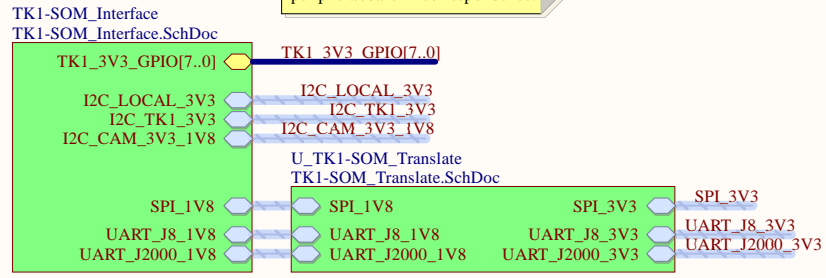


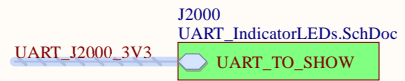
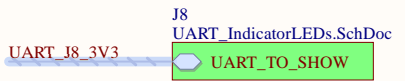
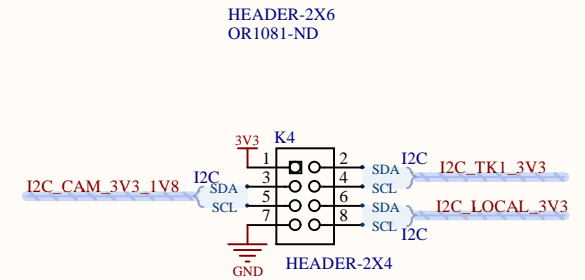
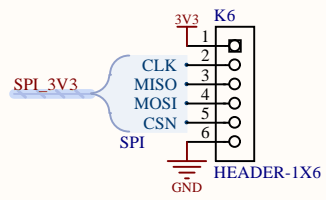
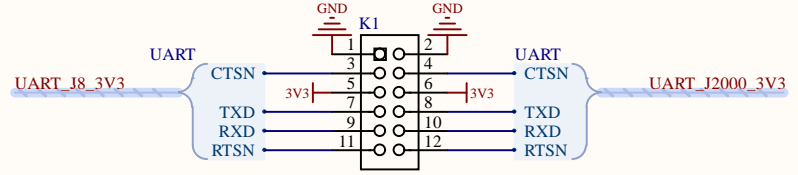
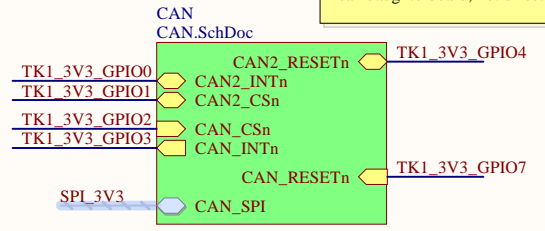
See docs/pins.ods for a 1:1 list of peripheral/ball/ID correspondence.

POWER: need 1V8 for io expanders, 3V3 for level converters & CAN IC, 5V for CAN endpoints. VDD_MUX = 12V from TK1

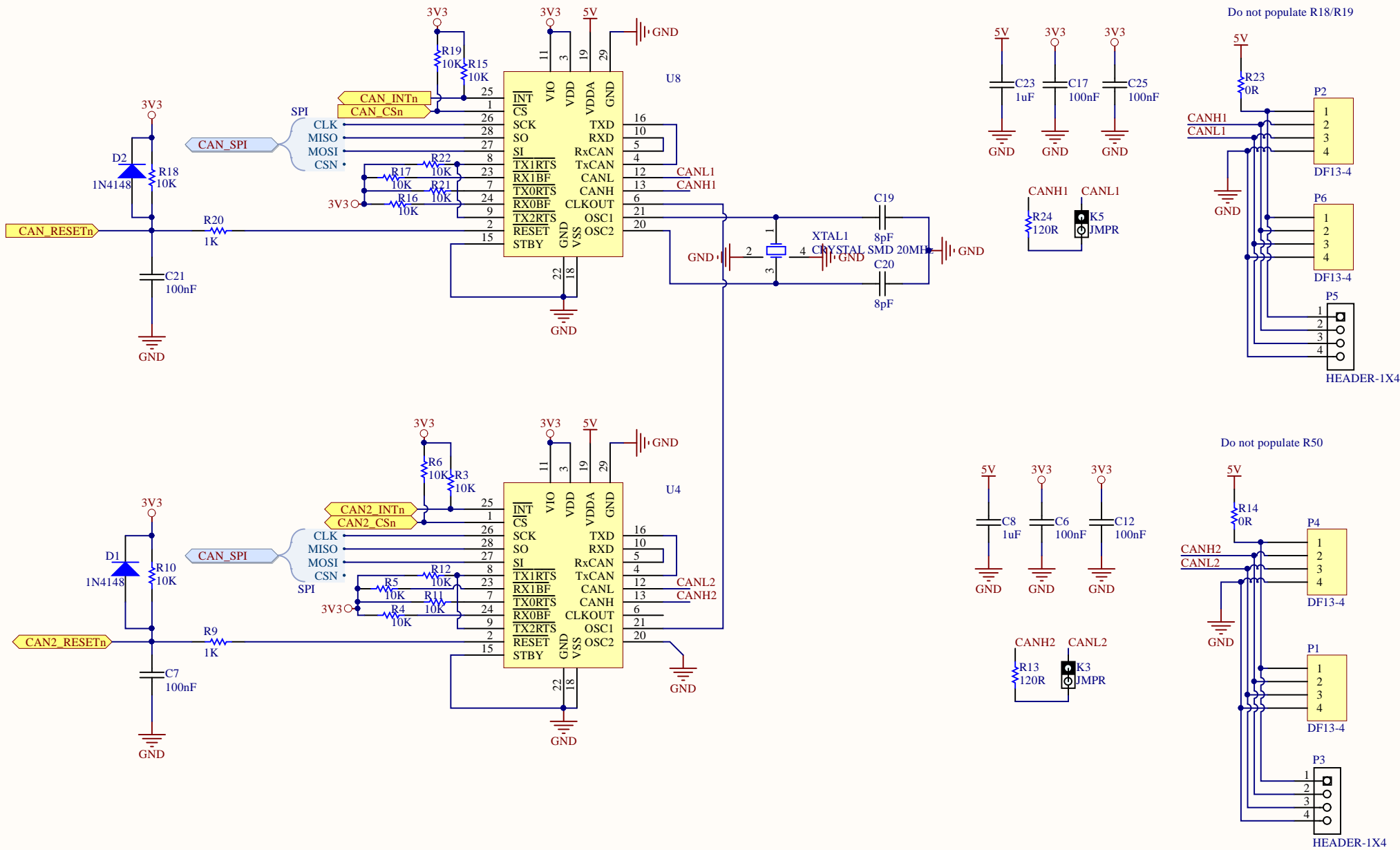


HEAT DISSIPATION: 1V8 only for level translation, not a concern. 3V3 & 5V on CAN IC draw < 20mA = < 200mW.

Note: CANX_RESET are driven by an external IO extender chip on the 'real' daughterboard, not direct GPIOs





Title: Tegra Daughterboard		
Size: A4	Revision: 1	
Date: 6/07/2016	Sheet: 1 of 5	
File: Tegra_Daughterboard.SchDoc		



Do not populate R18/R19

Do not populate R50

Title: CAN		 
Size: A4	Revision: 1	
Date: 6/07/2016	Sheet: 2 of 5	
File: CAN.SchDoc		

A

B

C

D

A

B

C

D

1

2

3

4

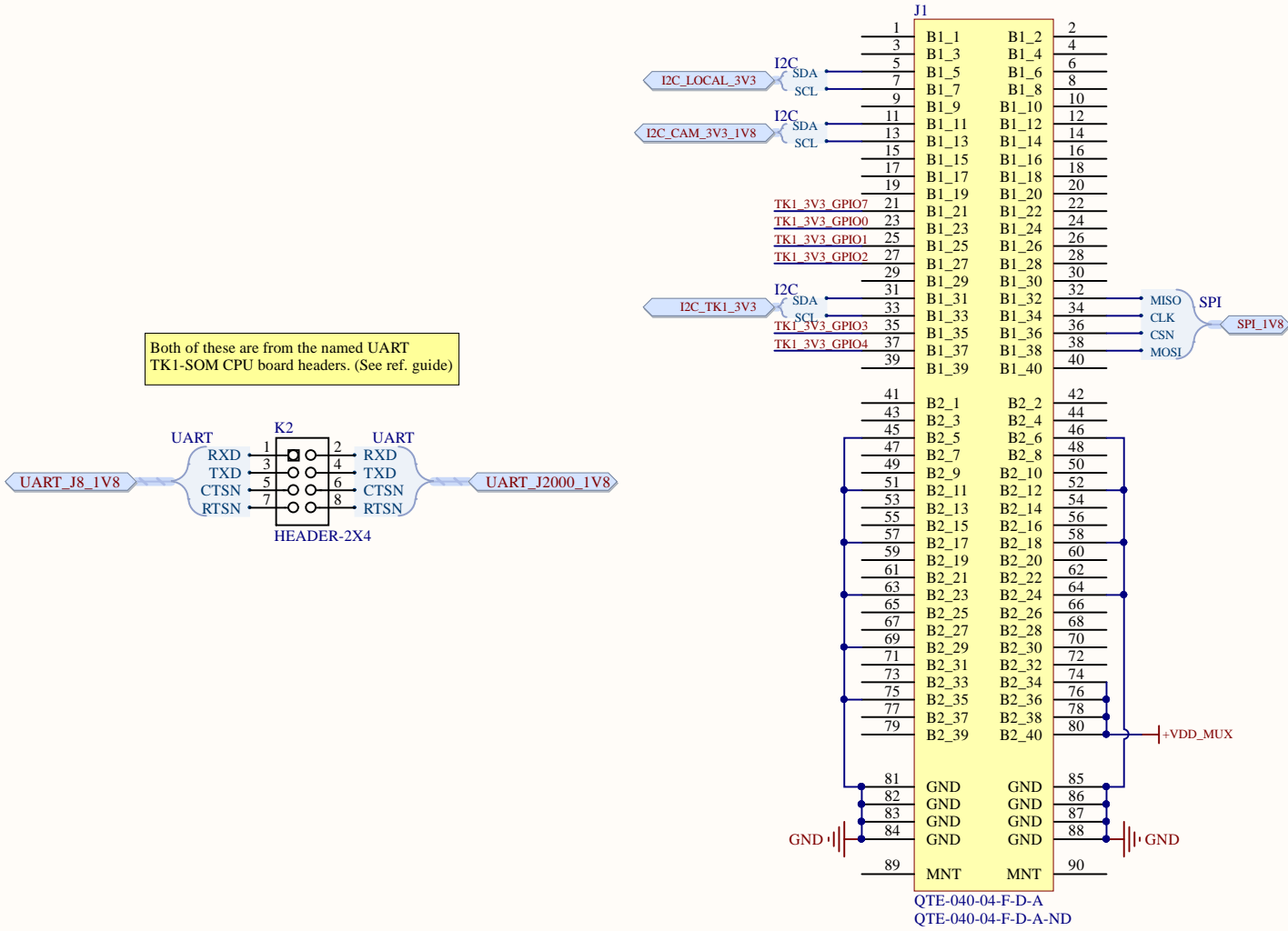
1



2

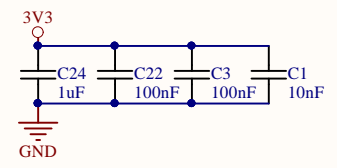
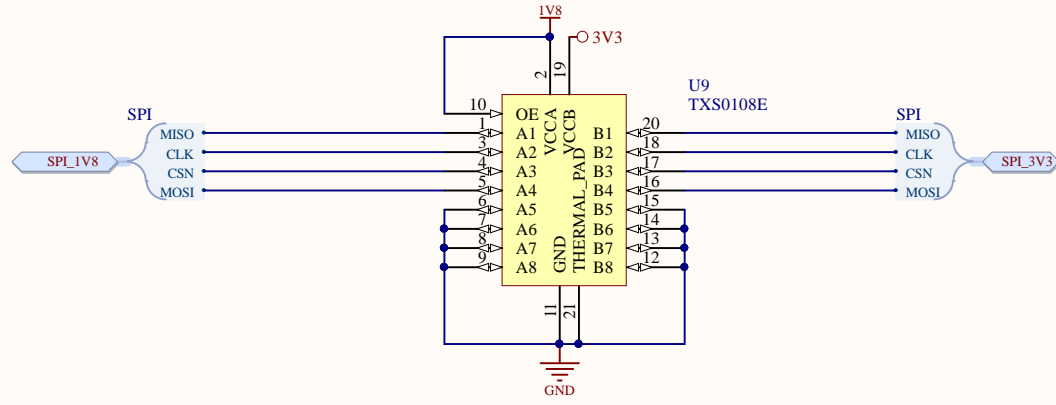
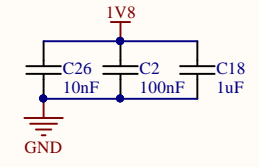
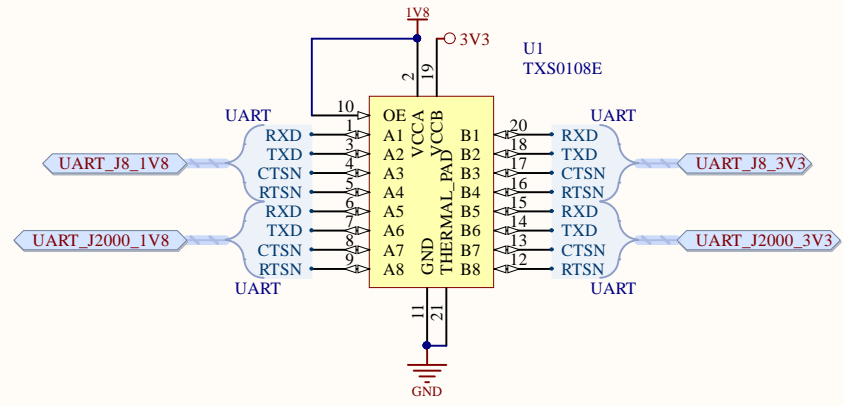
3

4

TK1-SOM PSU [EXPANSION]

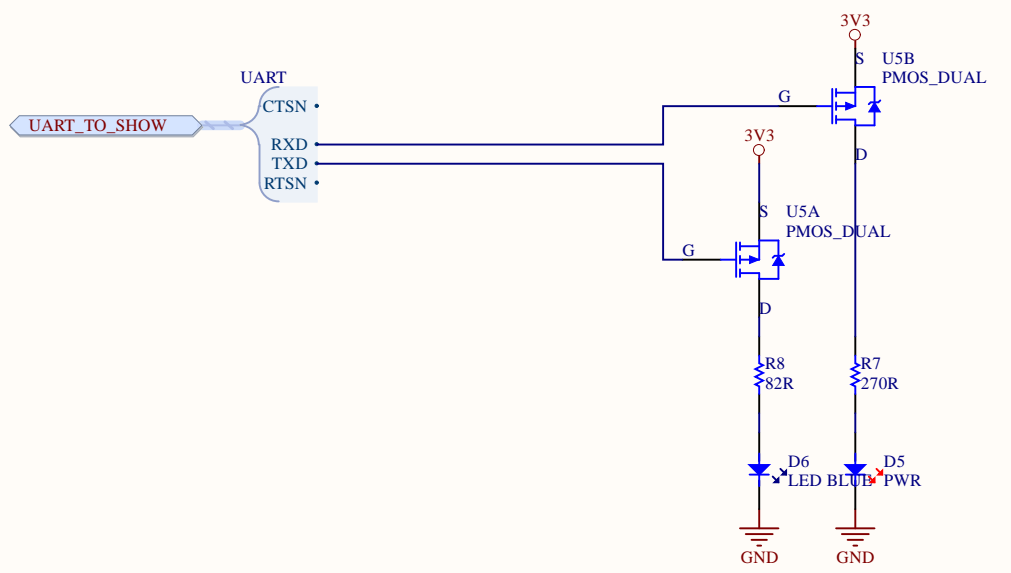




Title: TK1-SOM Interface		 
Size: A4	Revision: 1	
Date: 6/07/2016	Sheet: 3 of 5	
File: TK1-SOM_Interface.SchDoc		



Title: TK1-SOM Level Translators	
Size: A4	Revision: *
Date: 5/07/2016	Sheet: 4 of 5
File: TK1-SOM_Translate.SchDoc	





Title: UART Indicator LEDs		 
Size: A4	Revision: *	
Date: 5/07/2016	Sheet: 5 of 5	
File: UART_IndicatorLEDs.SchDoc		